
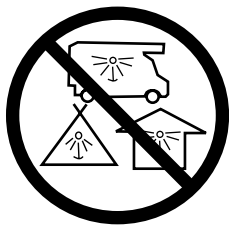





All Weather Woven Heater


Model No. GWU9850F / 35554 (A & B)

 DANGER	CARBON MONOXIDE HAZARD
	<ul style="list-style-type: none"> • This appliance can produce carbon monoxide which has no odor. • Using it in an enclosed space can kill you. • Never use this appliance in an enclosed space such as a camper, tent, car or home.

 WARNING	FOR YOUR SAFETY:
For Outdoor Use Only (outside any enclosure)	

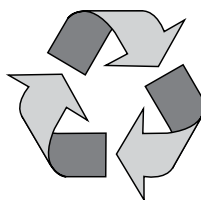
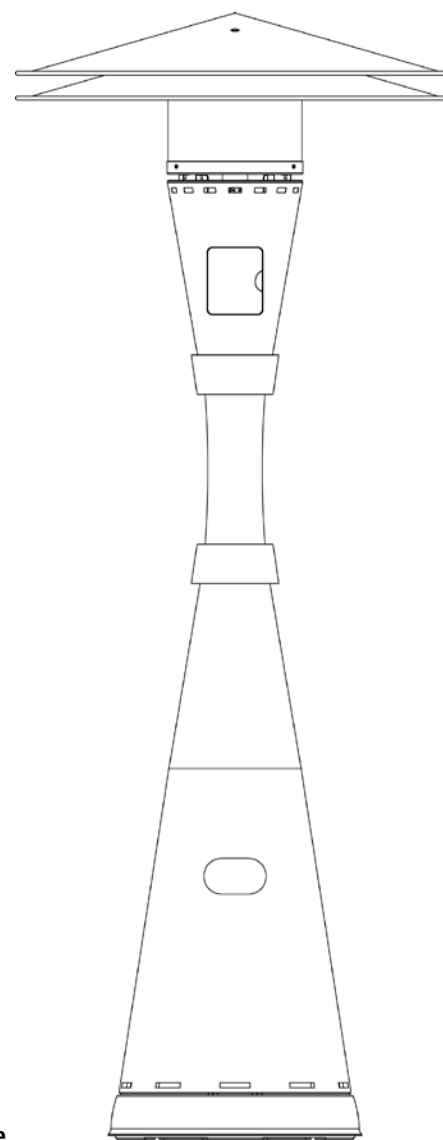
 WARNING	FOR YOUR SAFETY:
<ol style="list-style-type: none"> 1. Improper installation, adjustment, alteration, service or maintenance can cause injury or property damage. 2. Read the installation, operation, and maintenance instructions thoroughly before installing or servicing this equipment. 3. Failure to follow these instructions could result in fire or explosion, which could cause property damage, personal injury, or death. 4. This instruction manual contains important information necessary for the proper assembly and safe use of the appliance. 5. Read and follow all warnings and instructions before assembling and using the appliance. 6. Follow all warnings and instructions when using the appliance. 7. Keep this manual for future reference. 	

 DANGER	DANGER
If you smell gas -	
<ol style="list-style-type: none"> 1. Shut off gas to appliance. 2. Extinguish any open flame. 3. Open lid. 4. If odor continues, keep away from the appliance and immediately call your gas supplier or your fire department. 	

 WARNING	FOR YOUR SAFETY:
<ol style="list-style-type: none"> 1. Do not store or use gasoline or other flammable liquids or vapors in the vicinity of this or any other appliance. 2. An LP cylinder not connected for use shall not be stored in the vicinity of this or any other appliance. 	

 DANGER	DANGER
Never operate this appliance unattended.	

Save these instructions for future reference. If you are assembling this unit for someone else, give this manual to him or her to read and save for future reference.



Made from 75% Bagasse
(Environmentally Friendly Sugar Cane Pulp By-product)



Table of Contents	
Important Safeguards	Page 2
Exploded View & Hardware	3
Assembly Instructions	4
Installing LP Gas Tank	7
Insert LP Gas Tank	7
Secure LP Gas Tank	7
Connect LP Gas Tank	7
Disconnect LP Gas Tank	7
Operating Instructions	7
Checking for Leaks	7
Before Lighting	7
Lighting	7
When heater is ON	8
Re-Lighting	8
Shutdown	8
Cleaning and Care	8
Cleaning Surfaces	8
Maintenance	8
Storage	8
Product Registration	8
Specifications	9
Troubleshooting	10

The use and installation of this product must conform to local codes. In absence of local codes, use the *National Fuel Gas Code, ANSI Z223.1/NFPA 54, CAN/CGA-B149.1, Natural Gas and Propane Installation Code.*

California Proposition 65: Combustion by-products produced when using this product contain chemicals known to the State of California to cause cancer, birth defects, and other reproductive harm.

California Proposition 65: Wash your hands after handling this product.

DANGERS and WARNINGS: FOR YOUR SAFETY

- ▲ **DANGER:** Failure to follow the dangers, warning and cautions in this manual may result in serious bodily injury or death, or in a fire or an explosion causing damage to property.
- ▲ **WARNING:**
- ▲ This heater is for outdoor use only, and shall not be used in a building, garage or any other enclosed area.
 - ▲ This heater is safety certified for use in the United States and/or Canada only. Do not modify for use in any other location. Modification will result in a safety hazard.
 - ▲ Apartment Dwellers: Check with management to learn the requirements and fire codes for using an LP patio heater in your apartment complex. If allowed, use outside on the ground floor with a ten (10) foot (3.05 m) clearance from any structure. Do not use on or under balconies.
 - ▲ Always maintain at least 36" clearance (top), and 24" clearance (side) from combustible materials.
 - ▲ This heater is for use with liquid propane (LP) gas only. The conversion to or attempted use of natural gas in this LP gas heater is dangerous and will void your warranty.
 - ▲ LP gas Characteristics:
 - a. LP gas is flammable and hazardous if handled improperly. Become aware of the characteristics before using any LP gas product.
 - b. LP gas is explosive under pressure, heavier than air and settles and pools in low areas.
 - c. LP gas in its natural state has no odor. For your safety, an odorant is added that smells like rotten cabbage.
 - d. Contact with LP gas can cause freeze burns to skin.
 - ▲ LP gas tank needed to operate. Only tanks marked "propane" may be used.
 - ▲ The LP gas supply tank must be constructed and marked in accordance with the *Specifications for LP-gas Cylinders of the U.S. Department of Transportation (DOT)*; or the *Standard for Cylinders, Spheres and Tubes for the Transportation of Dangerous Goods and Commission, CAN/CSA-B339*, as applicable.
 - ▲ LP gas tank must be arranged for vapor withdrawal.
 - ▲ The LP gas tank must have a listed overfilling prevention device (OPD).
 - ▲ Only use 20-pound cylinders equipped with a cylinder connection device compatible with the connection for outdoor cooking appliances.
 - ▲ The LP gas tank must have a tank collar to protect the tank valve.
 - ▲ Never use an LP gas tank with a damaged body, valve, collar or footing.
 - ▲ Dented or rusted LP gas tanks may be hazardous and should be checked by your LP gas supplier prior to use.
 - ▲ The LP gas tank should not be dropped or handled roughly.
 - ▲ Tanks must be stored outdoors out of the reach of children and must not be stored in a building, garage or any other enclosed area. Your tank must never be stored where temperatures can reach over 125°F.
 - ▲ Never keep a filled LP gas tank in a hot car or car trunk. Heat will cause the gas pressure to increase, which may open the relief valve and allow gas to escape.
 - ▲ Do not store a spare LP gas tank under or near this appliance.
 - ▲ Never fill the tank beyond 80 percent full.
 - ▲ Never attempt to attach this heater to the self-contained LP gas system of a camper, trailer, motor home or house.
 - ▲ If the above two items not followed exactly, a fire causing death or serious injury may occur.
 - ▲ Place the dust cap on the cylinder valve outlet whenever the cylinder is not in use. Only install the type of dust cap on the cylinder valve that is provided with the cylinder valve. Other types of caps or plugs may result in leakage of propane.
 - ▲ The use of alcohol, or prescription or non-prescription drugs may impair the consumer's ability to properly assemble or safely operate the appliance.
 - ▲ Strong odors, colds, sinus congestion, etc. may prevent the detection of propane. Use caution and common sense when testing for leaks.
 - ▲ Your heater has been checked at all factory connections for leaks. Recheck all connections, as movement in shipping can loosen connections.
 - ▲ Check for leaks even if your unit was assembled for you by someone else.
 - ▲ Do not operate if gas leak is present. Gas leaks may cause a fire or explosion.
 - ▲ You must follow all leak-checking procedures before operating. To prevent fire or explosion hazard when testing for a leak:
 - a. Always perform leak test before lighting the heater and each time the tank is connected for use.
 - b. No smoking. Do not use or permit sources of ignition in the area while conducting a leak test.
 - c. Conduct the leak test outdoors in a well-ventilated area.
 - d. Do not use matches, lighters, or a flame to check for leaks.
 - e. Do not use heater until any and all leaks are corrected.
If you are unable to stop a leak, disconnect the LP gas supply. Call a gas appliance serviceman or your local LP gas supplier.
 - ▲ Do not store or use gasoline or other flammable liquids or vapors within 25 feet (7.62 m) of this appliance.
 - ▲ Do not use in an explosive atmosphere. Keep heater area clear and free from combustible materials, gasoline and other flammable vapors and liquids.
 - ▲ Keep all combustible items and surfaces away from the heater at all times. DO NOT use this heater or any gas product under any overhead or near any unprotected combustible constructions.
 - ▲ Combustion of propane creates carbon monoxide, which, when used in enclosed areas, can kill you.
 - ▲ It is essential to keep the heater's valve compartment, burners and circulating air passages clean. Inspect heater before each use.
 - ▲ Installation and repair should be done by a qualified service person.
 - ▲ Do not alter heater in any manner.
 - ▲ Do not use the heater unless it is COMPLETELY assembled and all parts are securely fastened and tightened.
 - ▲ This heater should be thoroughly inspected before each use. Clean and inspect the hose before each use of the appliance. If there is evidence of abrasion, wear, cuts or leaks the hose must be replaced prior to the appliance being put into operation.
 - ▲ Use only the regulator and hose assembly provided. The replacement regulator and hose assembly shall be that specified by the manufacturer.
 - ▲ Do not attempt to repair or alter the hose/regulator for any "assumed" defect. Any modification to this assembly will void your warranty and create the risk of a gas leak and fire. Use only authorized replacement parts supplied by manufacturer.
 - ▲ Inspect heater before each use. If a damaged part is detected, do not operate until an original equipment replacement part has been properly installed.
 - ▲ Use only Blue Rhino Global Sourcing, Inc. factory authorized parts. The use of any part that is not factory authorized can be dangerous. This will also void your warranty.
 - ▲ Dome and burner are extremely hot to the touch during operation. Never touch the dome or burner while the heater is operating. The surface of heater's emitter can reach temperatures approaching 1600°F. Wait for unit to cool down (approximately 45 minutes) after use before touching.
 - ▲ Do not attempt to move heater when in use. Allow the heater to cool (approximately 45 minutes) before moving or storing.
 - ▲ Always allow heater to cool (approximately 45 minutes) before attempting service.
 - ▲ Do not install or use in or on boats or recreational vehicles.
 - ▲ Do not use this heater in a vehicle trunk, station wagon, pick-up truck, mini-van, sport utility vehicle (SUV), or recreational vehicle (RV).
 - ▲ Do not use heater in winds that exceed 10 m.p.h..
 - ▲ Unit will operate at reduced efficiency below 40°F (5°C).
 - ▲ Do not leave a lit heater unattended, especially keep children and pets away from heater at all times.
 - ▲ Always use extreme caution when near heater. Alert both children and adults to the hazards of high temperatures, especially to avoid burns or clothing catching fire.
 - ▲ Storage of heater indoors is permissible only if the tank is disconnected, removed from the heater and properly stored outdoors.
 - ▲ Do not attempt to disconnect the gas regulator from the tank or any gas fitting while the heater is in use.
 - ▲ Always place your heater on a hard, level surface.
 - ▲ Use extreme caution on wooden decks.
 - ▲ Move gas hoses as far away as possible from hot surfaces.
 - ▲ Keep all electrical cords away from a hot heater.
 - ▲ Do not use heater for indoor cooking or heating. TOXIC fumes can accumulate and cause asphyxiation.
 - ▲ Keep sprinklers and other water sources away from burner and controls.
 - ▲ Do not hang clothing or other flammable materials either on or near heater.
 - ▲ Never cover the heater shroud while LP gas tank is enclosed.
 - ▲ Any guard or other protective device removed for servicing the heater must be replaced prior to operating the heater.
 - ▲ Certain materials or items, when stored under heater, will be subjected to radiant heat and could be seriously damaged.
 - ▲ After a period of storage and/or nonuse, check for leaks or burner obstructions and inspect for any abrasion, wear or cuts to the hose.
 - ▲ If at any time you are unable to light burner and smell gas, turn off, wait 5 minutes to allow gas to dissipate before attempting to light heater.
 - ▲ Failure to not wait 5 minutes to allow the gas to clear if the heater does not light, may result in an explosive flame-up.
 - ▲ Be careful when attempting to manually ignite this heater. Holding in the control knob for more than 10 seconds before igniting the gas will cause a ball of flame upon ignition.
 - ▲ Avoid inhaling fumes emitted from the heater's first use. Smoke and odor from the burning of oils used in manufacturing will appear. Both smoke and odor will dissipate after approximately 30 minutes. The heater should NOT produce thick black smoke.
 - ▲ If heater is not in use, the gas must be turned off at the supply tank.
 - ▲ Do not use this appliance without reading the "Operating Instructions" in this manual.
 - ▲ Use protective gloves when assembling this product.
 - ▲ Do not force parts together as this can result in personal injury or damage to the product.
 - ▲ Deaths, serious injury or damage to property may occur if the above is not followed exactly.

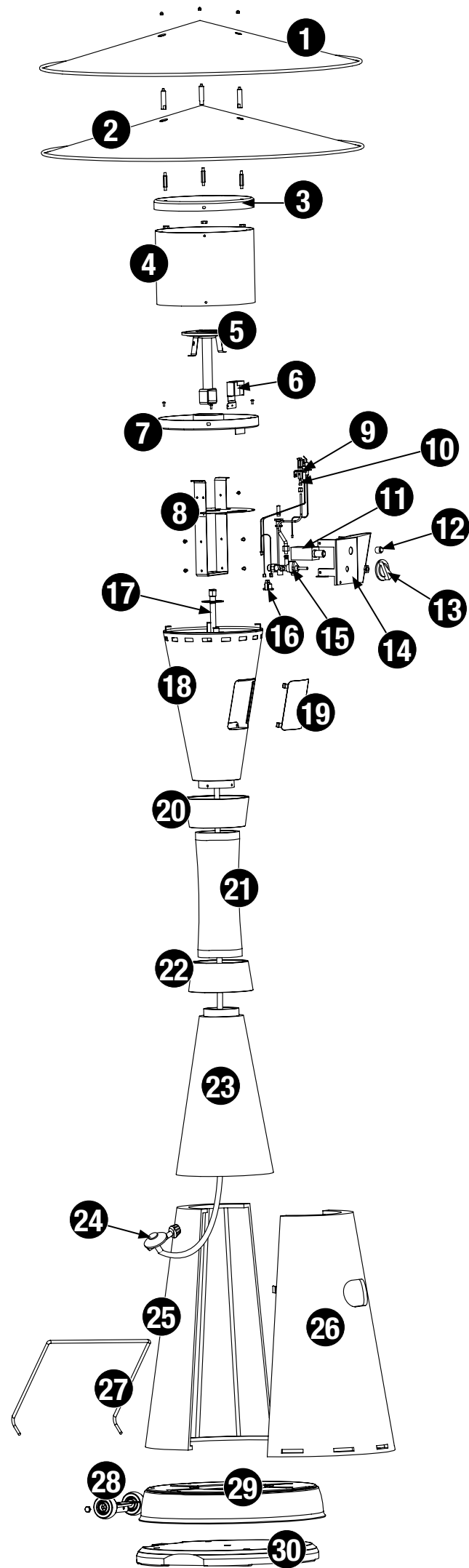
Contact 1.800.762.1142 for assistance. Do not return to place of purchase.

Parts List

1	Upper Dome	56-01-614
2	Lower Dome	56-01-615
3	Emitter Top*	56-01-616
4	Emitter Screen*	56-01-617
5	Burner*	56-01-618
6	Pilot Heat Shield*	56-01-619
7	Bottom Plate	56-01-620
8	Valve Support Bracket*	56-01-621
9	Pilot Assembly*	56-01-127
10	Burner Orifice*	56-01-131
11	Electronic Igniter*	56-01-142
12	Igniter Button*	56-01-622
13	Control Knob*	56-01-156
14	Access Panel*	56-01-623
15	Valve*	56-01-144
16	Tip Switch*	56-01-019
17	Gas Line	56-01-190
18	Engine Cover*	56-01-624
19	Control Panel Door*	56-01-625
20	Upper Cap	56-01-626
21	Pole	56-01-627
22	Lower Cap	56-01-628
23	Shroud Cap	56-01-629
24	Regulator/Hose Assembly	56-01-192
25	Shroud Back	56-01-630
26	Shroud Front	56-01-631
27	Tank Retainer Wire	56-01-632
28	Wheel Assembly	56-01-633
29	Base	56-01-634
30	Weight Plate	56-01-635

* Pre Assembled

Exploded View

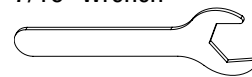


Hardware

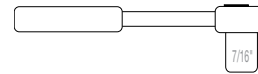
A	Screw	M6x25 Black Zinc Plated Philips Truss Head	4 pcs
B	Screw	M6x40 Black Zinc Plated Philips Truss Head	4 pcs
C	Bolt	Nickel Plated	3 pcs
D	Bolt	Nickel Plated	3 pcs
E	Bolt	Nickel Plated	4 pcs
F	Nut	M5 Stainless Steel	3 pcs
G	Nut	M6 Black Zinc Plated	4 pcs
H	Washer	ø5 Zinc Plated	3 pcs
I	AA Battery	AA Battery	1 pc

Tools Required for Assembly (Not Included)

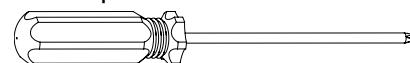
7/16" Wrench



5/16" Socket and Socket Wrench



#2 Phillips Head Screwdriver



Assembly Instructions

1

DO NOT RETURN PRODUCT TO STORE.

For assistance call **1.800.762.1142** toll free. Please have your owner's manual and model number available for reference.

For Easiest Assembly:

- To avoid losing any small components or hardware, assemble your product on a hard level surface that does not have cracks or openings.
- Clear an area large enough to layout all components and hardware.
- When applicable, tighten all hardware connections by hand first. Once the step is completed go back and fully tighten all hardware.
- Follow all steps in order to properly assemble your product.

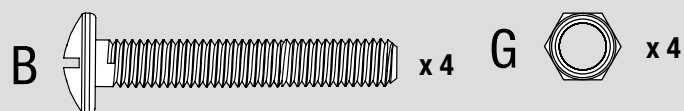
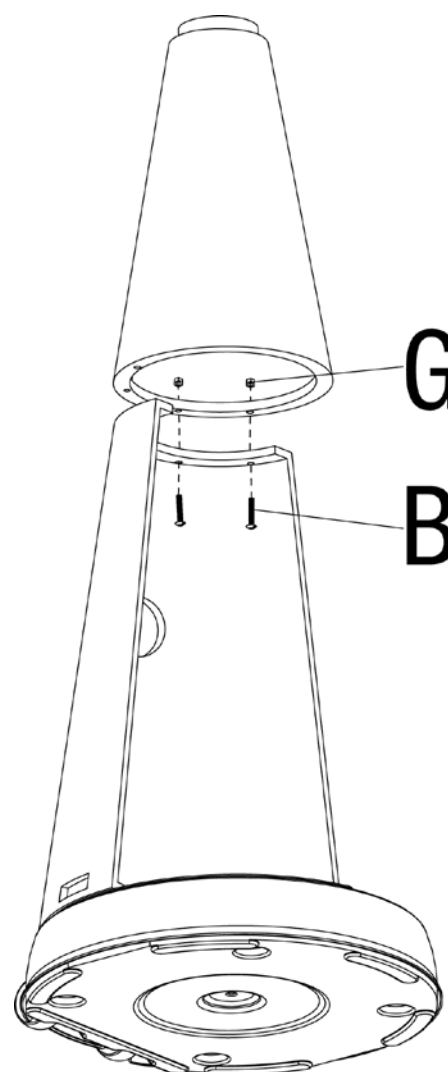
To complete assembly you will need:

- (1) Leak Detection Solution (Instructions on how to make solution are included in the "Operating Instructions" section of this manual)
- (1) Precision Filled LP Gas Grill Tank with Acme Type 1 external threaded valve connection (4-5 gallon size)

Typical assembly: approximately 1 (one) hour.

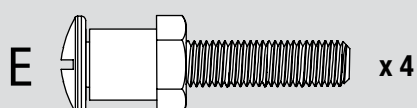
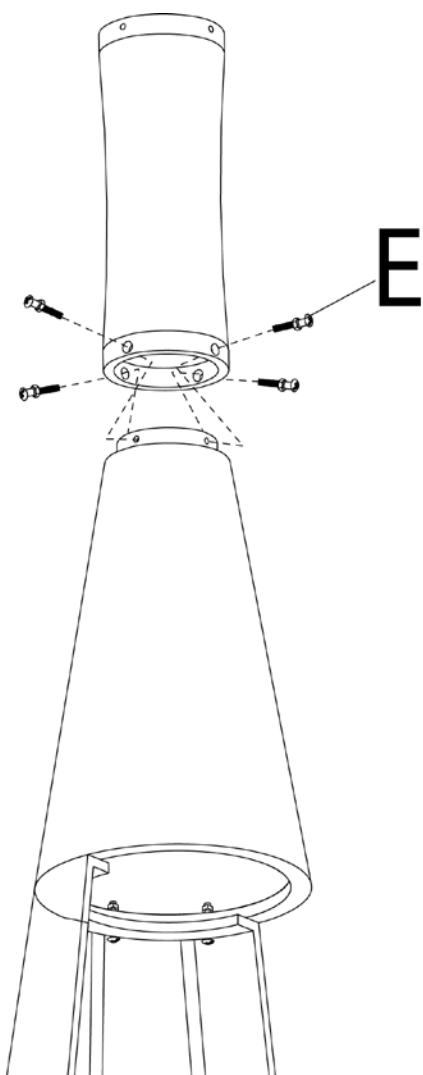
2

Attach Base



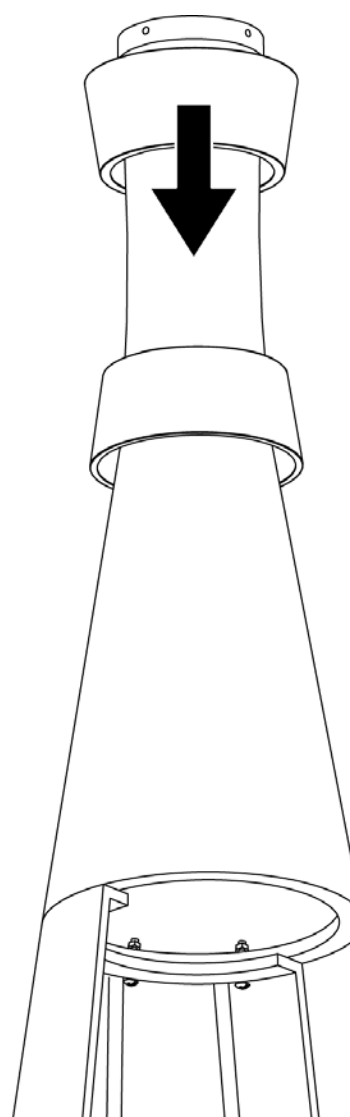
3

Attach Pole

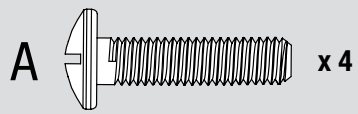
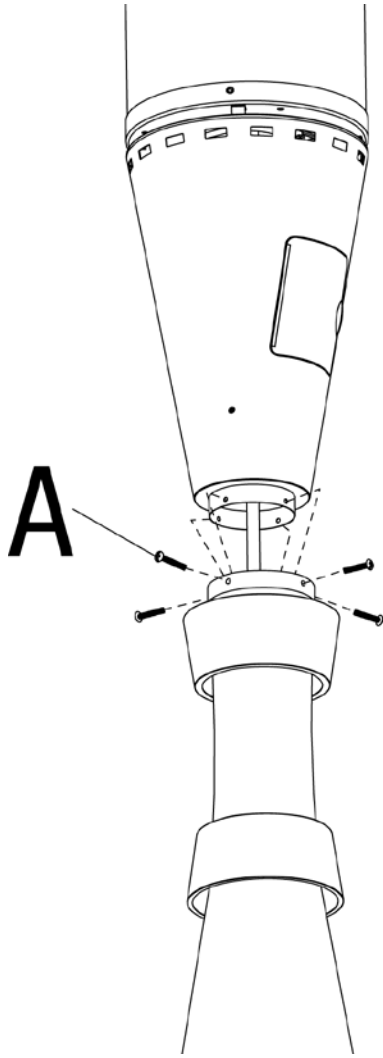


4

Place Caps

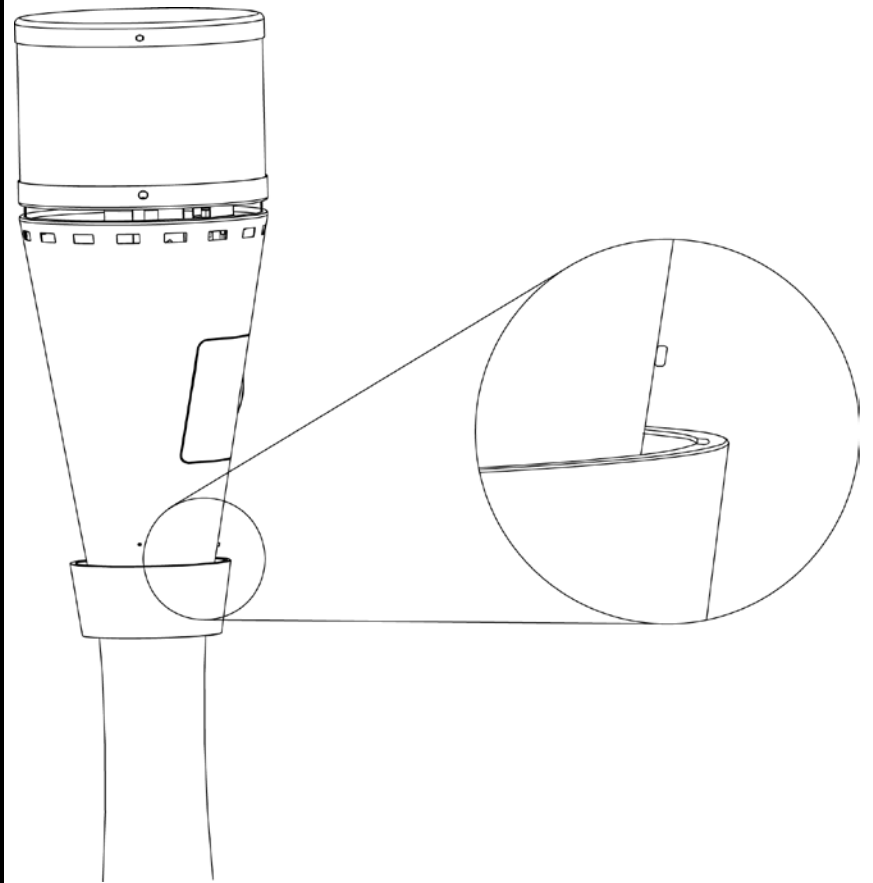


5 Attach Engine Assembly

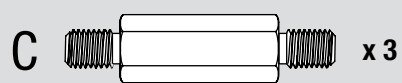
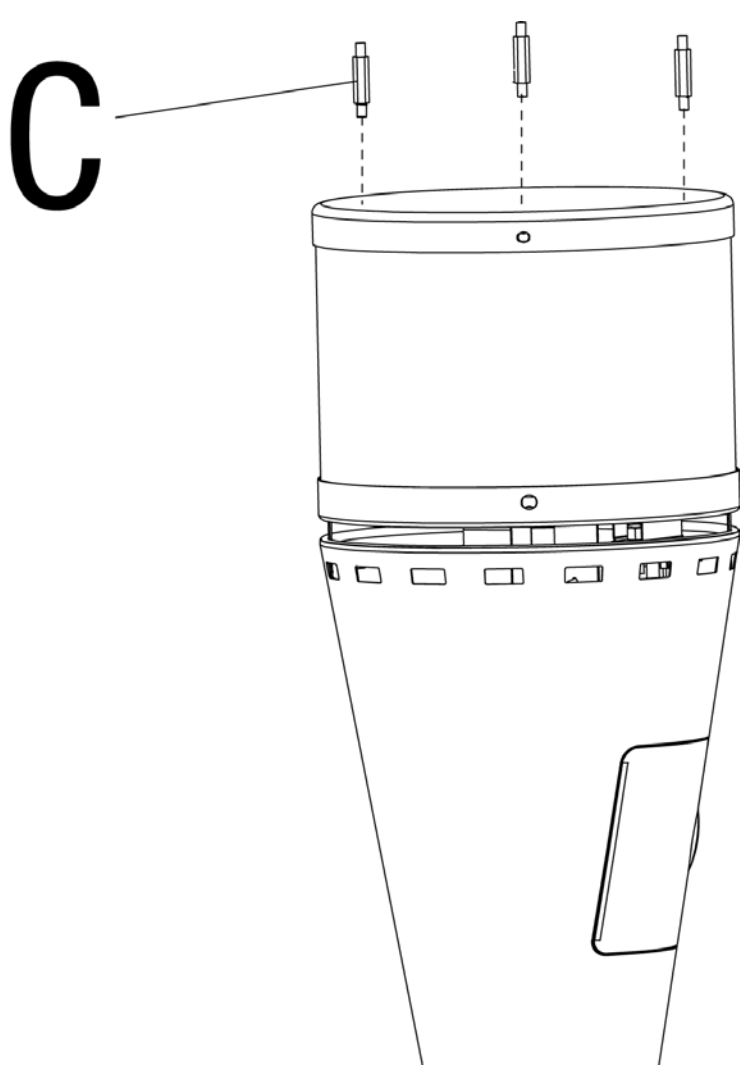


6 Secure Upper Cap

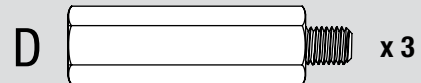
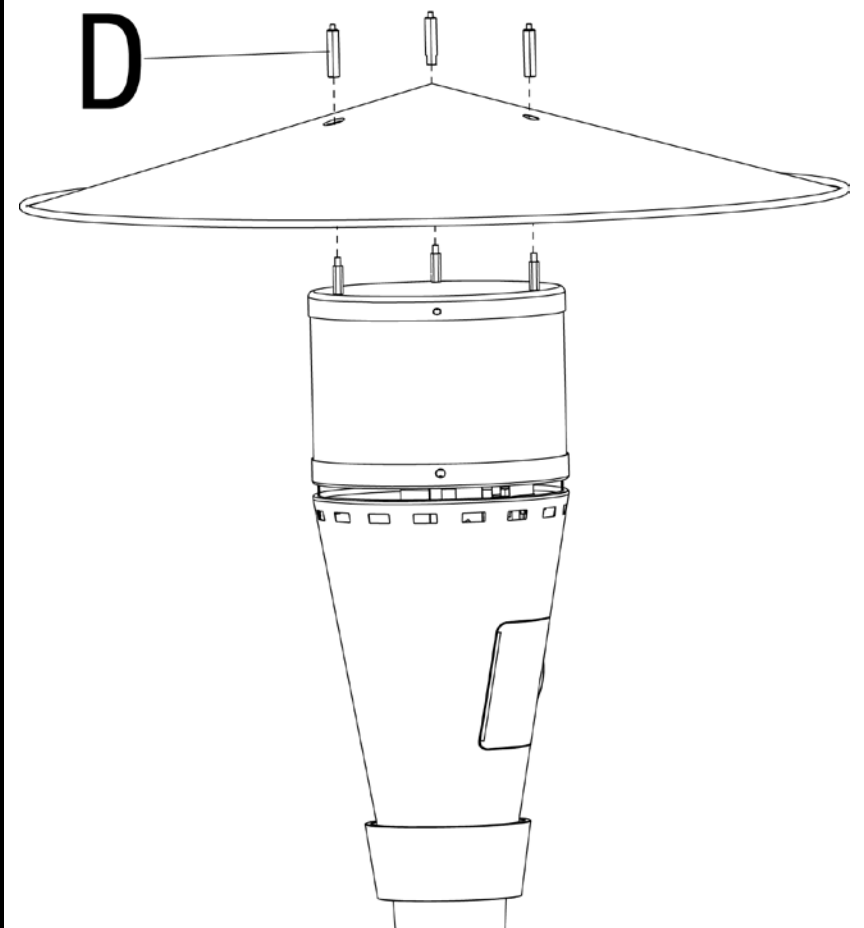
Note: Upper cap must align with the notch on the engine assembly and lock into position.



7 Attach Bolts



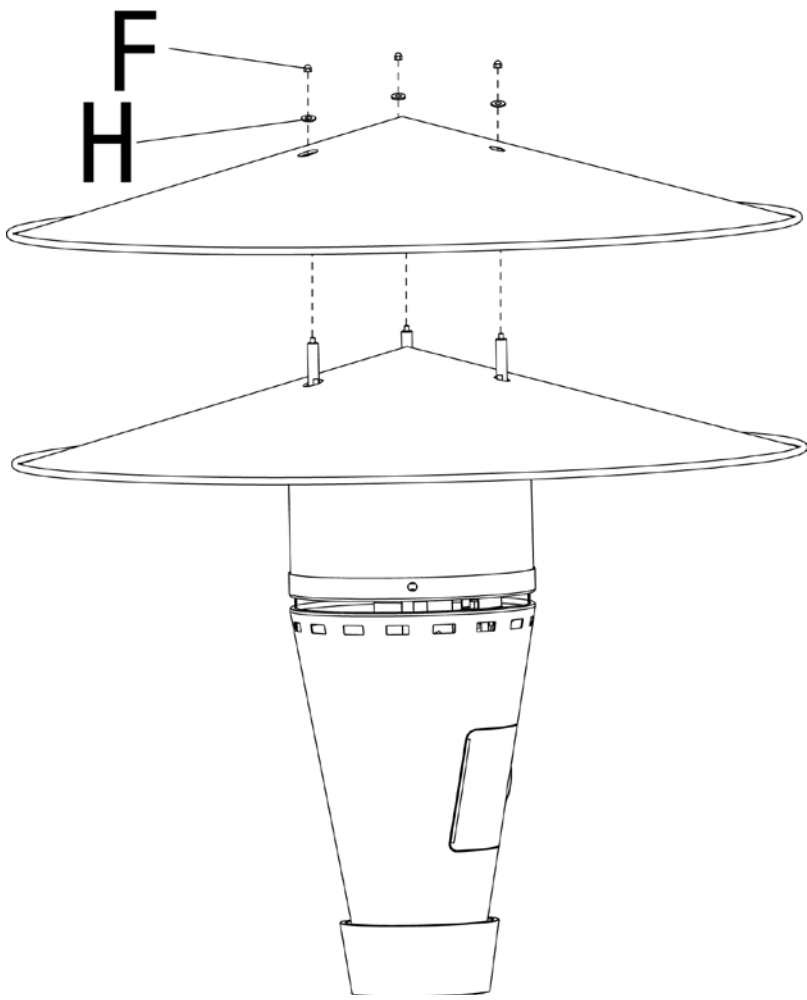
8 Attach Lower Dome



Assembly Instructions (continued)

9

Attach Upper Dome

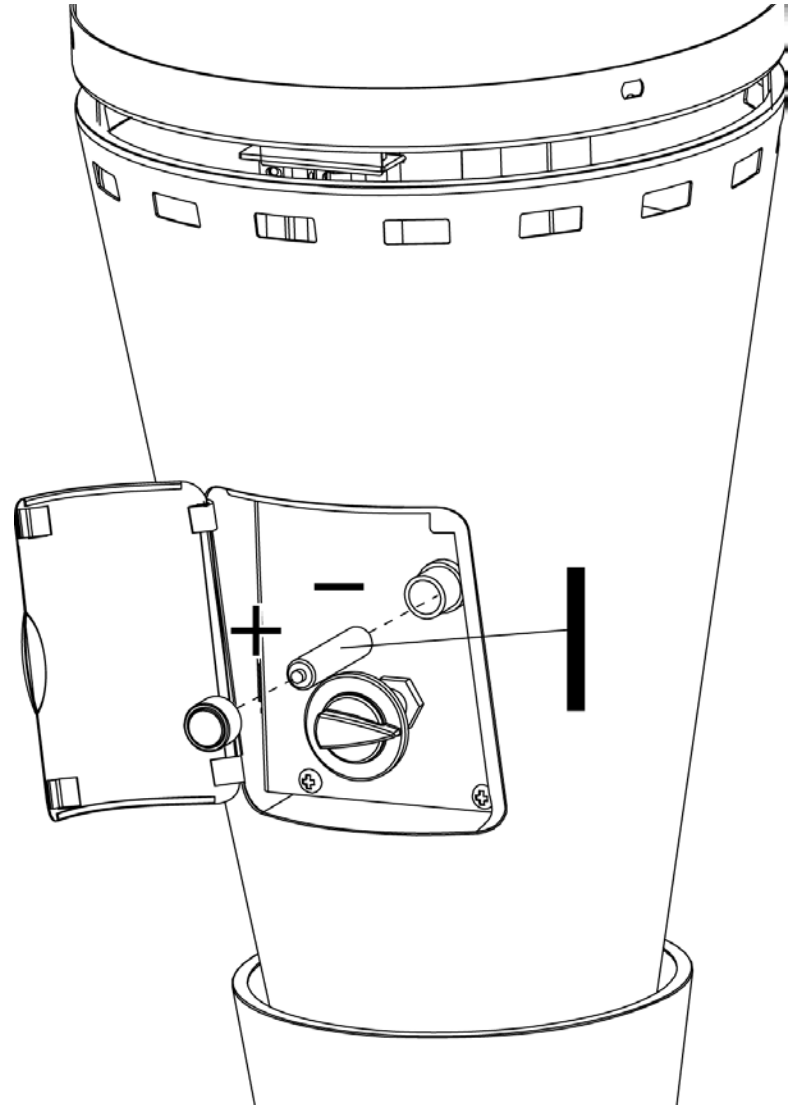


F  x3

H  x3

10

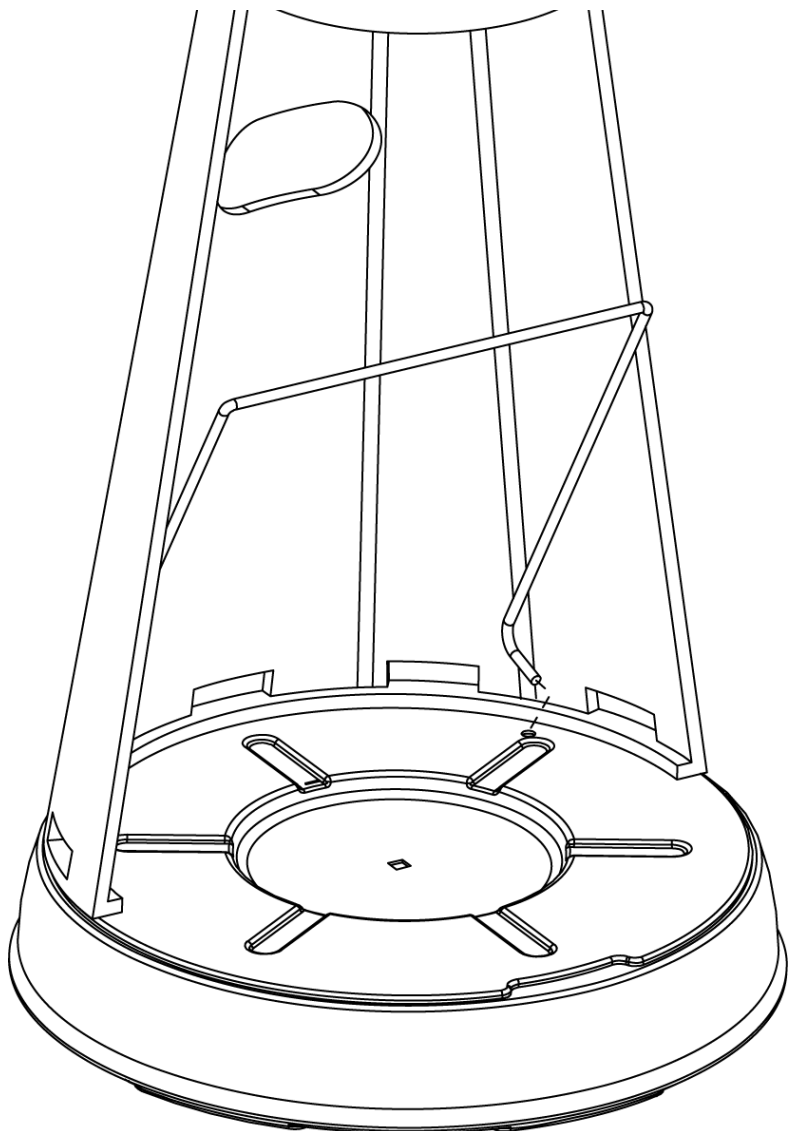
Insert Battery



 x1

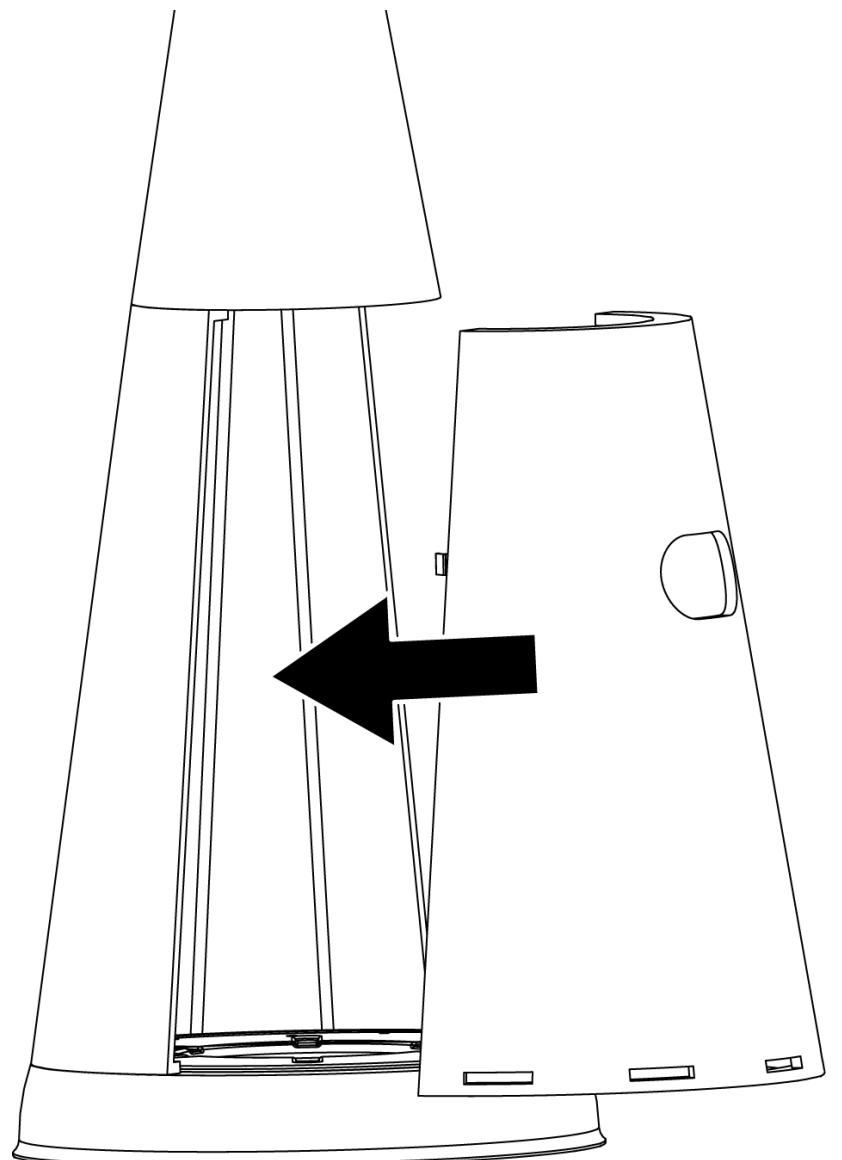
11

Attach Tank Retainer Wire



12

Attach Shroud Front



Installing LP Gas Tank

To operate you will need (1) precision-filled standard grill LP gas tank (20 lbs.) with external valve threads.

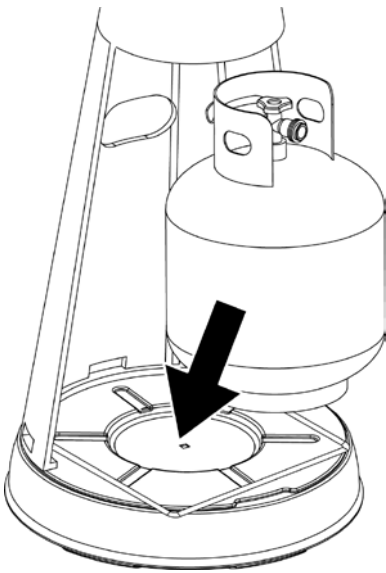
Note: An empty standard grill LP gas tank weighs approximately 18 lbs. A precision-filled standard grill LP gas tank should weigh no more than 38 lbs.

▲ Caution: LP gas tank must be properly disconnected and removed prior to moving this heater.



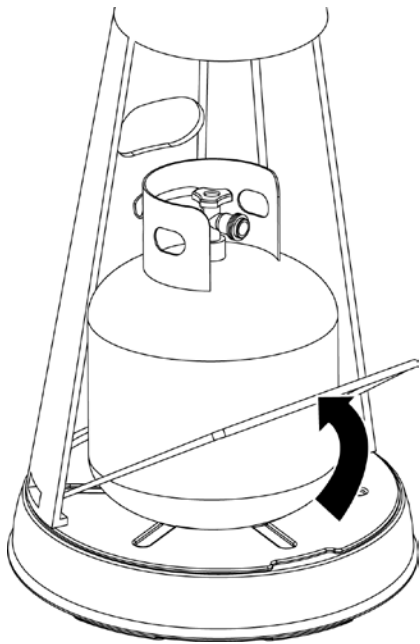
Insert LP Gas Tank

Place precision filled LP gas tank upright into hole in patio heater so it is arranged for vapor withdrawal.



Secure LP Gas Tank

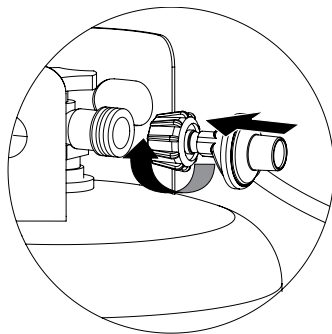
Secure tank in place by attaching loose end of tank restraint chain to hole in right leg.



Connect LP Gas Tank

Before connecting, be sure that there is no debris caught in the head of the LP gas tank, head of the regulator valve or in the head of the burner and burner ports.

Connect gas line to tank by turning knob clockwise until it stops.

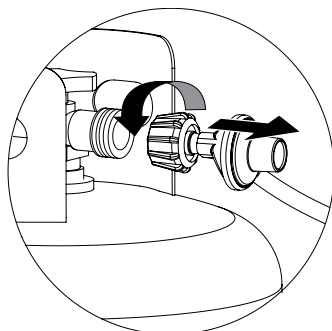


Disconnect LP Gas Tank

Before disconnecting make sure the LP gas tank valve is "CLOSED".

Disconnect gas line from LP gas tank by turning knob counterclockwise until it is loose.

▲ Caution: LP gas tank must be properly disconnected and removed prior to moving this heater.



Need a tank of gas? Try tank exchange service. It's easy, fast, safe, and available at tens of thousands of conveniently located retail outlets nationwide. You can purchase a new full tank or exchange your empty for a precision filled one.

Operating Instructions

Checking for Leaks

Burner Connections

1. Make sure the regulator valve and hose connections are securely fastened to the burner and the tank.
2. If your unit was assembled for you, visually check the connection between the burner pipe and orifice. Make sure the burner pipe fits over the orifice.

▲ WARNING: Failure to inspect this connection or follow these instructions could cause a fire or an explosion which can cause death, serious bodily injury, or damage to property.

3. If the burner pipe does not rest flush to the orifice, please contact 1.800.762.1142 for assistance.

Tank/Gas Line Connection

1. Make 2-3 oz. of leak solution by mixing one part liquid dishwashing soap with three parts water.
2. Make sure control knob is in "OFF" position. (Figure 3)
3. Turn LP gas tank valve to "OPEN".
4. Spoon leak check solution at all "X" locations. (Figures 1 and 2)
 - a. If any bubbles appear turn LP gas tank valve to "CLOSED", reconnect and re-test.
 - b. If you continue to see bubbles after several attempts, turn LP gas tank valve to "CLOSED", disconnect LP gas tank and contact 1.800.762.1142 for assistance.
 - b. If no bubbles appear after one minute turn LP gas tank valve to "CLOSED", wipe away solution and proceed.

Figure 1

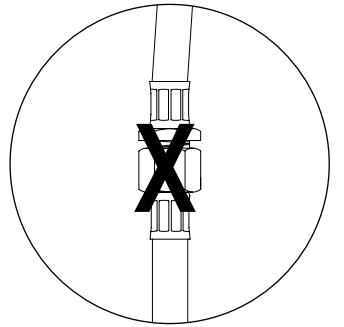
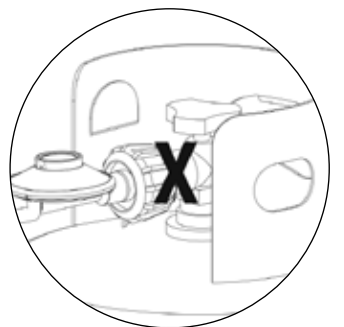


Figure 2



Before Lighting

1. Heater should be thoroughly inspected before each use, and by a qualified service person at least annually.
2. If relighting a hot heater, always wait at least 5 minutes.
3. Inspect the hose assembly for evidence of excessive abrasion, cuts or wear. Suspected areas should be leak tested. If the hose leaks, it must be replaced prior to operation. Only use the replacement hose assembly specified by manufacturer.

Lighting

Note: This heater is equipped with a pilot light that allows for safer startups and shutdowns. Pilot must be lit before main burner can be started.

1. Control knob must be in the "OFF" position. (Figure 3)
2. Turn LP gas tank valve to "OPEN".
3. Open viewing hole by sliding cover to either side. (Figure 6)
4. Push control knob in and rotate to "PILOT" position. (Figure 4)

Note: For initial start or after any tank change, hold control knob in for 2 minutes to purge air from gas lines before proceeding.

5. **Push-button Ignition:** Immediately push igniter button a couple of times. Pilot light flame will appear and be visible through viewing hole.

Electronic Ignition: Immediately push igniter button for five (5) seconds. Pilot light flame will appear and be visible through viewing hole.

6. Release control knob after 30 seconds. Pilot light will remain lit.
7. If ignition does not occur, turn control knob "OFF", wait 5 minutes and repeat lighting procedure.
8. Turn control knob to "HIGH". (Figure 5) Main burner will light immediately. Flame is visible through viewing hole. If not, turn control knob "OFF", wait 5 minutes, and repeat lighting procedure.
9. If for some reason your igniter fails to deliver a spark, your heater can be started by inserting a lit match through the pilot view hole while pushing the control knob in while in the "PILOT" position.

▲ WARNING: Be careful when attempting to manually ignite this heater. Holding in the control knob for more than 10 seconds before igniting the gas will cause a ball of flame upon ignition.

Have a question or are having problems visit www.bluerhino.com or call 1.800.762.1142.

Figure 3

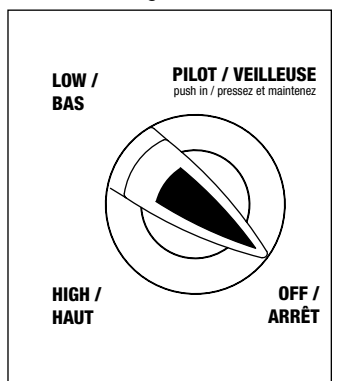


Figure 4

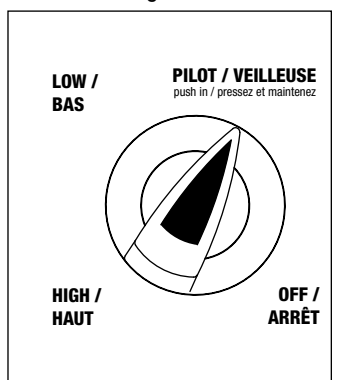


Figure 5

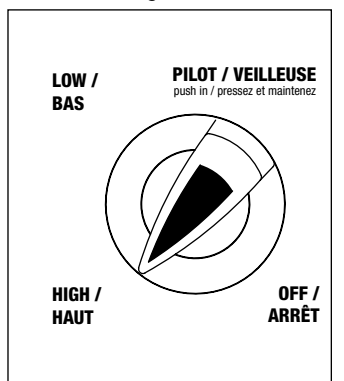
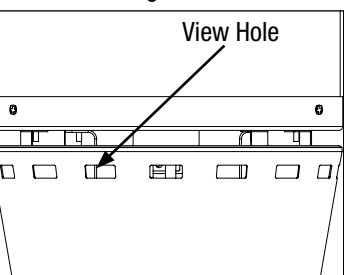


Figure 6



Operating Instructions (continued)

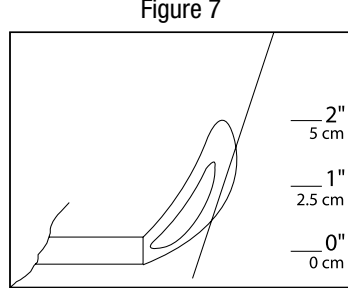
Note: The burner may be noisy when initially turned on. To eliminate excessive noise from the burner turn the control knob to the pilot position, then turn the knob to the level of heat desired.

When heater is ON:

Emitter screen will become bright red due to intense heat. The color is more visible at night.

Burner will display tongues of blue and yellow flame. These flames should not be yellow or produce thick black smoke, indicating an obstruction of airflow through the burners. The flame should be blue with straight yellow tops. (Figure 7)

If excessive yellow flame is detected, turn off heater and visit www.bluerhino.com or call 1.800.762.1142.



Re-lighting

Note: For your safety, control knob cannot be turned "OFF" without first depressing control knob in PILOT position and then rotating it to "OFF".

1. Turn control knob to "OFF".
2. Wait at least 5 minutes to let gas dissipate.
3. Repeat the "Lighting" procedure.

Shut Down

1. Turn control knob clockwise to pilot. (Normally, burner will make a slight popping sound when extinguished.) Burner will extinguish but pilot will remain "ON".
2. To extinguish pilot, depress control knob and continue to turn it clockwise to "OFF".
3. Turn tank valve to "CLOSED" and disconnect regulator when heater is not in use.

Note: After use, some discoloration of the emitter screen is normal.

Cleaning and Care

▲ CAUTION: All cleaning and maintenance should be done when patio heater is cool and with the fuel supply disconnected.

▲ CAUTION: DO NOT clean any patio heater part in a self cleaning oven. The extreme heat will damage the finish.

Notices

1. This heater should be thoroughly cleaned on a regular basis.
2. Abrasive cleaners will damage this product.
3. Never use oven cleaner to clean any part of heater.
4. More frequent cleaning may be required as necessary. It is imperative that control compartment, burners and circulating air passageways of the heater be kept clean.
5. Have heater inspected annually and repairs should be made by a qualified service person.
6. Inspect heater before each use.
7. Spiders and insects can create a dangerous condition that may damage the heater or make it unsafe. Keep burner area clean of all spiders, webs and insects. Clean burner holes by using a heavy-duty pipe cleaner. Compressed air may help clear away smaller particles.
8. Check heater immediately if any of the following conditions exist:
 - a. The smell of gas in conjunction with extreme yellow tipping of burner flames.
 - b. Heater does not reach proper temperature.
Note: At temperatures less than 40°F, heat output will be reduced.
 - c. Heater's glow is excessively uneven
 - d. Burner makes popping noises during use.
Note: A slight pop is normal when burner is extinguished.
9. Carbon deposits may create a fire hazard. Keep dome and emitter clean at all times.
10. Do not clean heater with combustible or corrosive cleaners. Use warm, soapy water.
11. Do not paint engine, engine access panel or dome.
13. After a period of storage and/or nonuse, check for leaks, burner obstructions and inspect for any abrasion, wear or cuts to the hose.

Cleaning Surfaces

1. Wipe surfaces clean with mild dishwashing detergent or baking soda.
2. For stubborn surfaces use a citrus based degreaser and a nylon scrubbing brush.
3. Rinse clean with water.

Note: While cleaning your unit, be sure to keep the area around the burner and pilot assembly dry at all times. Do not submerge the control valve assembly. If the gas control is submerged in water, do NOT use it. It must be replaced.

Cleaning and Care (continued)

Maintenance

To enjoy years of outstanding performance from your heater, make sure you perform the following maintenance activities on a regular basis:

1. Keep exterior surfaces clean.
2. Air flow must be unobstructed. Keep controls, burner, and circulating air passageways clean. Signs of possible blockage include:
 - Gas odor with extreme yellow tipping of flame.
 - Heater does NOT reach the desired temperature.
 - Heater glow is excessively uneven.
 - Heater makes popping noises.

Note: In a salt-air environment (such as near an ocean), corrosion occurs more quickly than normal. Frequently check for corroded areas and repair them promptly.

TIP: Use high-quality automobile wax to help maintain the appearance of your heater. Apply to exterior surfaces from the pole down. Do not apply to emitter screen or domes.

Storage

Between uses:

1. Turn control knob to "OFF".
2. Turn LP gas tank valve to "CLOSED".
3. Disconnect LP gas tank.
4. Store heater upright in an area sheltered from direct contact with inclement weather (such as rain, sleet, hail, snow, dust, debris and high winds).
5. If desired, cover heater to protect exterior surfaces and to help prevent build up in air passages.

Note: Wait until heater is cool (approximately 45 minutes) before covering.

During periods of extended inactivity or when transporting:

1. Turn control knob to "OFF".
2. Turn LP gas tank valve to "CLOSED".
3. Disconnect LP gas tank and move to a secure, well-ventilated location outdoors.
4. Store heater upright in an area sheltered from direct contact with inclement weather (such as rain, sleet, hail, snow, dust, debris and high winds).
5. If desired, cover heater to protect exterior surfaces and to help prevent build up in air passages.
6. Never leave LP tank exposed to direct sunlight or excessive heat.

Note: Wait until heater is cool (approximately 45 minutes) before covering.

Product Registration

For faster warranty service, register your product immediately at www.bluerhino.com or call 1.800.762.1142.

Specifications

Certifications:

ANS Z83.26a-2008 • CSA 2.37a-2008, Gas-Fired Outdoor Infrared Patio Heater

Rating:

Maximum 40,000 BTU/hr. input

Heat Range:

Up to 20 foot diameter

Fuel:

Liquid Propane Gas (LP)

Tank Size:

Nominal 20 lb / 5 Gallon

Inlet gas supply pressure:

Maximum – 150 PSI

Minimum – 5 PSI

Manifold Pressure:

11.00 in. W.C.

Engine:

IPP E1

Safety Features:

100% Burner shut-off

Tilt Switch

Manufacturer:

Blue Rhino Global Sourcing, Inc

Made In:

China

Contact 1.800.762.1142 for assistance. Do not return to place of purchase.

Troubleshooting

Problem	Possible Cause	Prevention/Cure
Pilot won't light	Igniter fails	Light the heater manually with a match, per the "Lighting Instructions". If heater lights with a match, replace igniter
	Pilot or orifice	Clean the pilot assembly: Download and follow the correct cleaning instructions from www.bluerhino.com
	LP gas tank valve is closed	Make sure regulator is securely attached to the LP gas tank, turn LP gas tank valve to "OPEN"
	Air in gas line	1. Open gas line and bleed it (pressing control knob in) for not more than 1 - 2 minutes or until you smell gas 2. Turn control knob to "OFF" 3. Wait at least 5 minutes for gas to dissipate
	Low gas pressure with tank valve fully "OPEN"	Turn LP gas tank valve "CLOSED" and replace LP gas tank
Pilot won't stay lit (Residential/Commercial Heaters Only) <i>Note: Heater operates at reduced efficiency below 40°F (5°C).</i>	Dirt built up around pilot	Clean the pilot assembly: Download and follow the correct cleaning instructions from www.bluerhino.com
	Connection between gas valve and pilot assembly is loose	Tighten connection and perform leak check
	Air in gas line	Open gas line and bleed it (pressing control knob in) for not more than 1 - 2 minutes or until you smell gas
	Thermocouple is not operating correctly	Clean the heater: Download and follow the correct cleaning instructions from www.bluerhino.com
Burner won't light <i>Note: Heater operates at reduced efficiency below 40°F (5°C).</i>	Control knob is not in "ON" position	Review "Lighting Instructions" and try again
	LP gas pressure is low	Turn LP gas tank valve "CLOSED" and replace LP gas tank
	Blockage in orifice	Clear blockage: Download and follow the correct cleaning instructions from www.bluerhino.com
	Connection between gas valve and burner assembly is loose	Tighten connection and perform leak check
	Air in gas line	Open gas line and bleed it (pressing control knob in) for not more than 1 - 2 minutes or until you smell gas
Burner won't stay lit	Connection between gas valve and burner assembly is loose	Tighten connection and perform leak check
	Thermocouple is not operating correctly	Clean heater if still not working, obtain a new thermocouple from the manufacturer
Burner flame is low <i>Note: Heater operates at reduced efficiency below 40°F (5°C).</i>	LP gas pressure is low	Turn LP gas tank valve "CLOSED" and replace LP gas tank
	Outdoor temperature is less than 40°F and tank is less than 1/4 full	Use a full LP gas tank
	Supply hose is bent or kinked	Straighten hose, if cracked obtain a new hose from the manufacturer
Emitter glows uneven <i>Note: Bottom 1" of emitter normally does NOT glow.</i>	LP gas pressure is low	Turn LP gas tank valve "CLOSED" and replace LP gas tank
	Base is not on a level surface	Place heater on a level surface
	Blockage in burner	Clean the burner: Download and follow the correct cleaning instructions from www.bluerhino.com
Thick black smoke	Blockage in burner	Remove blockage and clean burner inside and outside: Download and follow the correct cleaning instructions from www.bluerhino.com

For more assistance please visit us online at www.bluerhino.com or call 1.800.762.1142 for immediate assistance.

